

24 Ports PoE Fast Ethernet Switch



- **Main Ports:** 24x downlink Fast PoE Ethernet ports, 2x Gigabit uplink Fast Ethernet ports
- **Unique Feature:** one-key CCTV mode, which can restrain network storm, realize VLAN function and 1-24 downlink ports only able to communicate with uplink ports; the further transmission distance up to 250m in CCTV mode with 10 Mbps bitrate;
- **IEEE802.3af/at:** Max PoE power of single port is up to 30W; total PoE budget is up to 225W;
- **Support PoE Watchdog** under VLAN and CCTV mode;
- **Standard:** IEEE802.3, IEEE802.3u, IEEE802.3ab, IEEE802.3x, IEEE802.3af, IEEE802.3at;
- **Protection:** 6kV surge immunity, 8 kV ESD immunity, and anti-interference function;
- **Structure:** Support installation of desktop, wall mounted and rack mounted
- **Operation:** plug and play, no any settings needed.

Introduction

The 24 ports PoE switch is an unmanaged PoE Ethernet switch along with 24 * 10/100Base-TX downlink PoE ports and 2 * 10/100/1000Base-T uplink Ethernet ports featuring 30-watt 802.3at PoE+. The total PoE power budget is up to 225 watts. Also supports PoE Watchdog feature, which allows the switch rebooting the PoE port when the device connected in crashes or freeze. The device can be widely used in video security monitoring systems, network projects, etc.

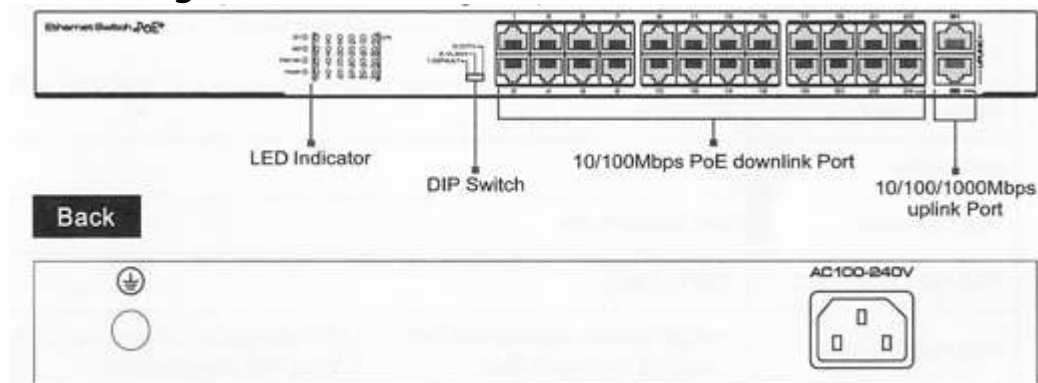
Specification

Model	S1024-250
Downstream Ports	24*10/100Base-TX PoE
Uplink Ports	2*10/100/1000 Base-TXRJ-45
Network Standard	IEEE802.3, IEEE802.3u, IEEE802.3ab, IEEE802.3x, IEEE802.3af, IEEE802.3at
Switch Capacity	8.8Gbps
Packet Forwarding Rate	6.4Mpps
SwitchProcessing Scheme	Store and Forward
Packet Buffer	2.75M
MACTable	8K
PoEStandard	802.3af/at(PSE)
PSEType	End-span
Power PinAssignment	1/2(+), 3/6(-)
PoEPower Output	PoE Single port ≤30W (54 VDC)
PoEBudget	225watts max
Three working modes	<p>Default: all of the ports could communicate freely</p> <p>VLAN: Ports 1-24 are isolated respectively, but can communicate with uplink ports. Supports PoE Watchdog</p> <p>CCTV: The transmission distance can be extended up to 250 meters, while link speed of downlink ports 1-24 will be limited to 10Mbps. Supports PoE Watchdog</p>
Surge immunity	Common mode 6KV, Execute standard: IEC61000-4-5
ESD	<p>6kV Contact discharge</p> <p>8kV Air discharge</p> <p>Execute: IEC61000-4-2</p>
Power Supply	100 – 240 V AC @ 50/60 Hz
Power consumption	<250W (including PoE)
Working temperature	-10 °C ~ 50 °C
Storage temperature	-40 °C ~ 85 °C
Humidity(Non-condensing)	5% - 95%
Dimension (W*D*H)	440 mm x 180mm x 44 mm
Weight	2.32 kg
Regulator	CE, FCC,ROHS

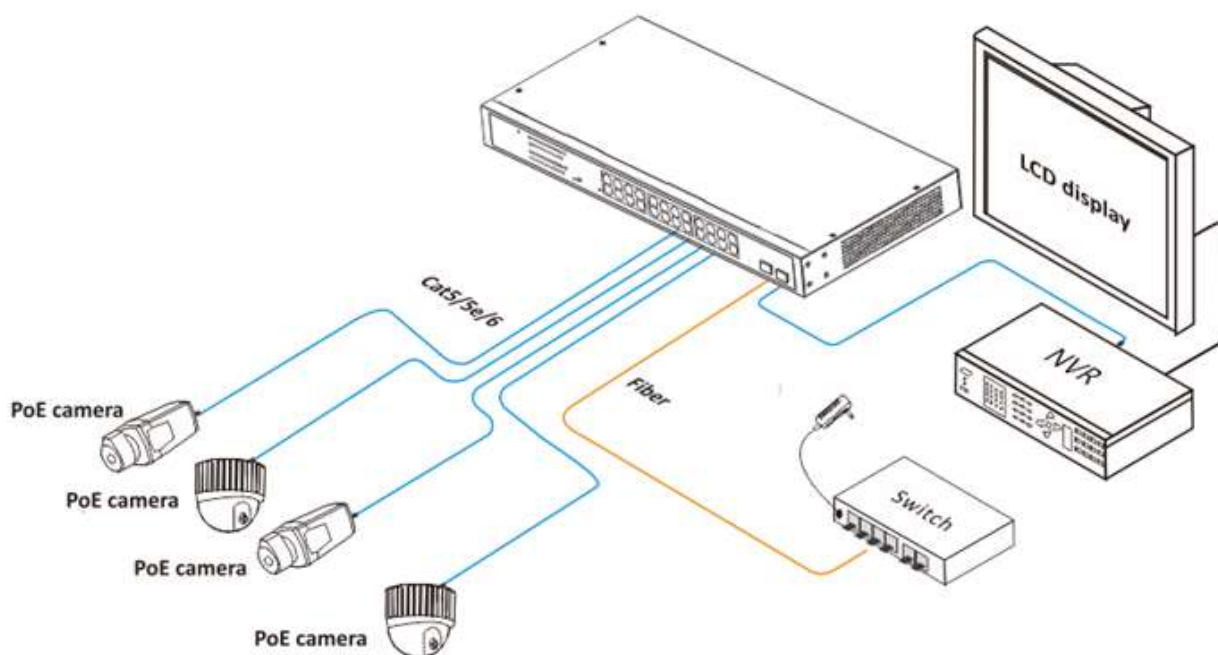
Designation	Quantity
S1024-300	1
Power Adapter	1

Mounting kit	1
User Manual	1

Board Diagram



Typical application



Para más información sobre Cygnus Electronics visite: www.cygnus.la – Cygnus electronics y su respectivo logo son marcas registradas de Cygnus electronics y /o sus afiliados en la Argentina y otros países. Cualquier marca de terceros mencionada es propiedad de sus respectivos dueños.

Impreso en Argentina